



# 2019 Product Catalog

[ssicustomplastics.com](http://ssicustomplastics.com)



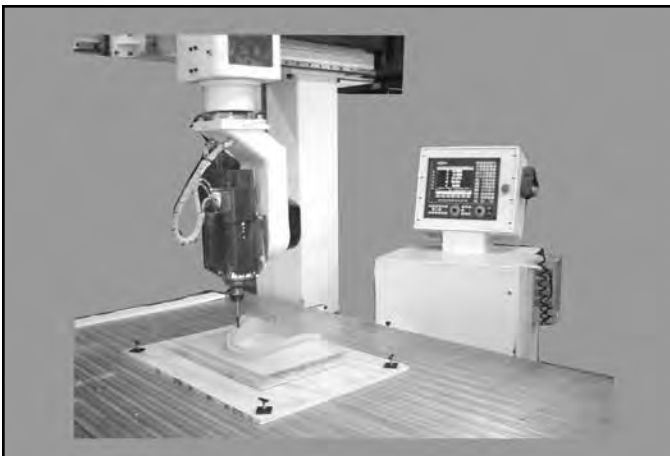
**SSI Custom Plastics**  
 43985 Commerce Avenue  
 Hollywood, MD 20636  
 301-373-2372  
 301-373-2734 Fax  
 Skype: ssi\_plastics  
 www.ssicustomplastics.com  
 Email: sales@ssicustomplastics.com

## PRODUCTS FOR 2019

<i>Access Doors</i> . . . . . 13	<i>Fire Extinguisher Box, Recessed</i> . . . . 1, 5	<i>Sinks</i> . . . . . 21
<i>Battery Switch Box, Recessed</i> . . . . 14, 15	<i>Foot Rest, Helm</i> . . . . . 22	<i>Speaker Back Covers</i> . . . . . 17
<i>Binocular Cases</i> . . . . . 1	<i>Fuel Fill, Recessed</i> . . . . . 22	<i>Speaker / Drink Holder, Recessed</i> . 6, 7, 9
<i>Bins Drop-in and Storage</i> . . . . . 8	<i>Instrument Back Covers</i> . . . . . 17	<i>Storage Lockers, Recessed</i> . 4, 5, 8, 9, 10
<i>Cargo Net Storage</i> . . . . . 9	<i>Instrument Front Cover</i> . . . . . 17	<i>Switch Panel, Recessed</i> . . . . . 14, 15
<i>Carpet Grommet</i> . . . . . 16	<i>Leaning Post Tubs</i> . . . . . 4	<i>Tables</i> . . . . . 1
<i>Chaffing Rings</i> . . . . . 16	<i>Livewell Control Panels</i> . . . . . 23	<i>Tackle Boxes</i> . . . . . 2, 3
<i>Coaming Storage Boxes</i> . . . . . 5, 7, 8, 9,	<i>Mast Boots</i> . . . . . 20	<i>Toilet Paper Holders</i> . . . . . 12
<i>Console Glove / Storage Box</i> . . . . 9, 10, 11	<i>Overhead Electronics Box</i> . . . . . 24	<i>Trash Storage Door</i> . . . . . 12, 13
<i>Cooler Retainers</i> . . . . . 23	<i>Panels, Recessed Control, Engine</i> . . 23	<i>Trim Rings</i> . . . . . 16, 17
<i>Drink Holder, Recessed</i> . . . . . 6, 7, 9	<i>Piling Caps</i> . . . . . 21	<i>Vent Covers, Clamshell</i> . . . . . 20
<i>Drink Holder, Sea Pocket</i> . . . . . 7	<i>Rod Boxes</i> . . . . . 4	<i>Washdown</i> . . . . . 20
<i>Electric Box Covers</i> . . . . . 17	<i>Showers, STOWAWAYS</i> . . . . . 18, 19	

SSI offers our customers:

- State-of-the-art thermoforming equipment (including CNC routing systems)
- Knowledgeable technical support and creative solutions
- CNC machined molds for quick and accurate prototypes
  - ◆ Engineering staff to assist with design
  - ◆ Advise shortcuts and improvements
  - ◆ Recommend appropriate material for job
  - ◆ Develop simple, low-cost tooling for prototypes
  - ◆ Produce high-temperature, aluminum-epoxy molds for extended runs
  - ◆ Provide sample components on short notice
  - ◆ Establish delivery schedule to coincide with customer requirements
  - ◆ Exterior products have acrylic cap for superior gloss color retention and UV protection



# Fire Extinguisher Boxes



## No. 49800000

6 <sup>3</sup>/<sub>4</sub>" W x 18 <sup>1</sup>/<sub>2</sub>" H x 3 <sup>5</sup>/<sub>8</sub>" D (171 x 470 x 92 mm) OD  
4 <sup>7</sup>/<sub>8</sub>" W x 16 <sup>5</sup>/<sub>8</sub>" H x 3 <sup>1</sup>/<sub>2</sub>" D (124 x 422 x 89 mm) ID  
cut out - 5 <sup>1</sup>/<sub>4</sub>" W x 16 <sup>3</sup>/<sub>4</sub>" H (133 x 425 mm)

## No. 49809000

6 <sup>7</sup>/<sub>8</sub>" W x 15 <sup>7</sup>/<sub>8</sub>" H x 3 <sup>5</sup>/<sub>8</sub>" D (175 x 403 x 92 mm) OD  
4 <sup>7</sup>/<sub>8</sub>" W x 13 <sup>7</sup>/<sub>8</sub>" H x 3 <sup>1</sup>/<sub>2</sub>" D (124 x 352 x 89 mm) ID  
cut out - 5 <sup>1</sup>/<sub>4</sub>" W x 14" H (133 x 356 mm)

- Recessed box keeps fire extinguisher tucked away but within easy reach
- Glossy Acrylic capped ABS
- Reinforced back panel
- Both sizes are available in either black or white

## No. 49850000

8" W x 19 <sup>1</sup>/<sub>2</sub>" H x 4" Deep (203 x 495 x 102 mm) OD  
4 <sup>7</sup>/<sub>8</sub>" W x 16" H x 4" Deep (124 x 406 x 102 mm) ID  
cut out - 5 <sup>1</sup>/<sub>8</sub>" W x 16 <sup>3</sup>/<sub>4</sub>" H (130 x 425 mm)

- Attractive storage box with "Slimline" door



# High Quality Deck Tables

- Designed for easy mounting to standard pedestals
- Rigid two piece design
- High gloss acrylic capped ABS finish on top and bottom
- Deep cup holders securely hold cups, mugs, bottles & cans.

## Oval Tables

No. 35003000 (all white)

No. 35013000 (with black bottom)  
30"L x 18"W x 4"D (762 x 457 x 102 mm)



# SSi Binocular Case

No. 38106000

12 <sup>1</sup>/<sub>4</sub>" W x 10 <sup>3</sup>/<sub>4</sub>" H x 5" D  
(311 x 273 x 127 mm)

- **All new design** safely stores all sizes up to 7 x 50 with compass as well as most models of stabilized binoculars
- Molded from flexible white UV resistant low density polyethylene with predrilled mounting holes
- New hinge design holds lid open or closed while allowing easy access



# SSI Tackle and Storage Boxes

- High Gloss Acrylic capped ABS for maximum resistance to the sun
- Rugged lidded Plano® drawers
- Convenient Two and Three drawer sizes
- Stainless steel hinges and fasteners



**No. 45302000 Two Drawer (white)**  
**No. 45302001 Two Drawer (black)**

13 1/2" W x 7 1/2" H x 8 1/2" D  
 (343 x 191 x 216 mm)  
 cut out - 11 3/4" W x 6" H (298 x 152 mm)



**No. 45300000 Three Drawer**

13 1/2" W x 9 3/4" H x 8 1/2" D  
 (343 x 248 x 216 mm)  
 cut out - 11 3/4" W x 8 1/4" H  
 (298 x 210 mm)

## "Slimline" Tackle Boxes



**No. 45312000 Two Drawer (white)**  
**No. 45312001 Two Drawer (black)**

14 1/4" W x 8 1/8" H x 8" D  
 (362 x 206 x 203 mm)

cut out - 11 1/2" W x 5 1/4" H (292 x 133 mm)



**No. 45312300 Two Drawer  
 With Southco grabber latch**  
*(same dimensions)*

- Hidden Fasteners
- Patented "Slimline" door
- Integrally molded plastic hinge



**Two Drawer Closed**



**No. 45310000 Three Drawer**

14 1/2" W x 10 5/8" H x 8" D  
 (368 x 270 x 203 mm)

cut out - 11 1/2" W x 7 3/4" H  
 (292 x 197 mm)



**No. 45310300 Three Drawer  
 With Southco grabber latch**  
*(same dimensions)*



**Three Drawer Closed**

# Deluxe Tackle Boxes

## Three Drawer "Smart Choice" Tackle Boxes



### No. 457031037

Gray Sterling stainless  
with locking plastic latch  
13 1/4" W x 9 3/4" H x 8 1/2" D  
(337 x 210 x 216 mm)  
cut out 11 7/8" x 8 1/4"



- "Smart Choice" style tackle boxes
- Choice of standard colors of acrylic capped ABS or "stainless" finish doors
- Options for stainless steel or plastic latches
- Door gasket, stainless hinge and hidden fasteners



White acrylic capped  
ABS with locking s.s. latch



### Deluxe Five Drawer

#### No. 45305000

17"W x 15 3/4"H x 10 1/2"D  
(432 x 400 x 267 mm)

cut out 15 1/4" W x 14" H (387 x 356 mm)

- Five 2" (51 mm) tall Plano® drawers

**No. 45305500** Same with locking stainless slam latch (pictured)

### Five Drawer Tackle Center

18 1/4"W x 18 5/8"H x 11 1/4" D (464 x 473 x 286 mm)  
cut out - 16"W x 16 3/4"H (406 x 425 mm)



### No. 45405000 (right hand door)

### No. 45415000 (left hand door - pictured)

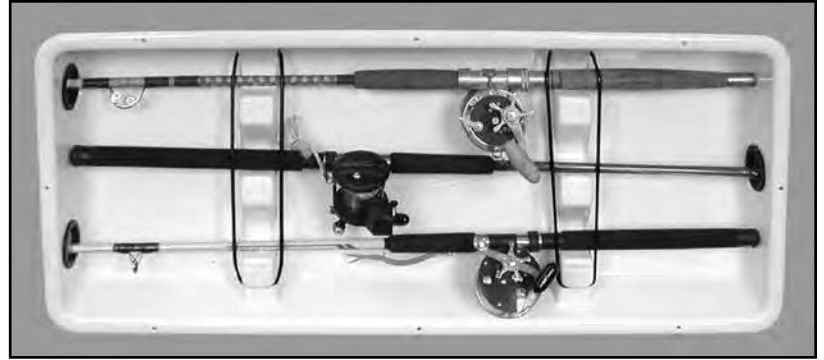
- Rigid acrylic capped ABS door with gasket
- Handy pockets molded inside door for rigging tools
- Stainless steel locking slam latch
- Stainless steel piano hinge & hidden fasteners
- Three 2" (51 mm) and two 3" (76 mm) tall Plano® drawers
- Secured in a sturdy ABS inner box





# SSi Rod Boxes

- Attractive and Durable acrylic capped ABS
- Extreme long life Polycord straps holds rods secure
- Models available with rod tubes for OEM sales
- Sold in pairs (except **No. 53009000**)
- Some models are for OEM sales only with minimum quantity restrictions

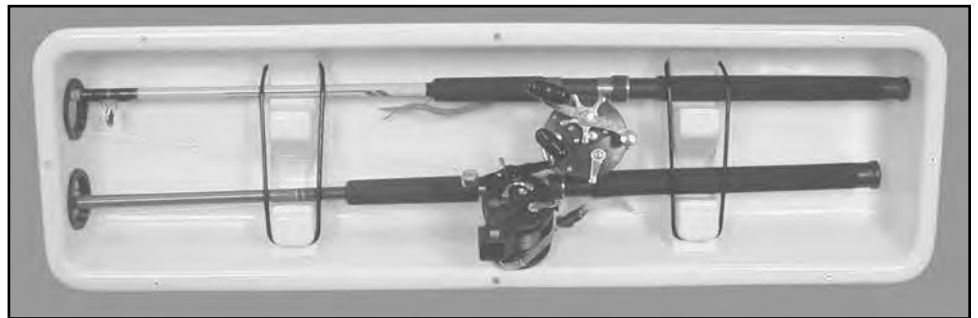


**No. 53008000H** (Images not to scale)

**No. 53000000** (tapered)  
43"W x 15"H x 4 1/4" - 2 1/2" D (1092 x 381 x 108 - 64 mm)  
cut out - 41 1/4"W x 13 5/8"H (1048 x 346 mm)

**No. 53020000H** (tapered)  
40 1/4"W x 12"H x 4 1/4" - 2 1/2" D (1022 x 305 x 108 - 64 mm)  
cut out - 38 3/8"W x 10"H (975 x 254 mm)

**No. 53002009** (spec. ord.)  
56 3/4"W x 16 1/2"H x 5" D (1441 x 419 x 127 mm)  
cut out - 55"L x 14 5/8"H (1397 x 371 mm)



**No. 53020000H** (Images not to scale)

**No. 53003000** (three rod)  
55 3/4"W x 18 1/2"H x 5" D (1416 x 470 x 127 mm)  
cut out - 53 7/8"W x 16 3/4"H (1368 x 425 mm)

**No. 53004000** (tapered)  
55 3/4"W x 16 1/2" h x 4 1/2" - 2 1/2" D (1416 x 419 x 114 - 64 mm)  
cut out - 53 7/8"L x 14 5/8"H (1368 x 371 mm)

**No. 53005000** (tapered)  
55 3/4"W x 16 1/2" h x 4" - 3 1/4" D (1416 x 419 x 102 - 83 mm)  
cut out - 53 7/8"L x 14 5/8"H (1368 x 371 mm)

**No. 53006000** (tapered)  
55" W x 11 3/4" H x 4 - 3 1/4" D (1397 x 298 x 102 - 83 mm)  
cut out - 53 1/8"L x 11 3/4"H (1349 x 298 mm)

**No. 53008000H** (three rod tapered)  
42 3/8"W x 20 5/8"H x 5" - 3" D (1076 x 524 x 127 - 76 mm)  
cut out - 40 7/8"W x 16 1/2"H (1038 x 419 mm)



**No. 53005000** (port side pictured)

## LEANING POST TUBS



**Part No. 57502000**

**Outside Dimensions**

33" x 8 3/4"  
838 x 222 mm

**Inside Dimensions**

30" x 6" x 7 7/8"  
762 x 152 x 194 mm

# Open and Covered Cockpit Storage Boxes

OEM sales and minimum quantity restrictions may apply to some products



## No. 31621000

23 <sup>3</sup>/<sub>8</sub>" W x 12" H x 6" Deep (594 x 305 x 152 mm)  
cut out - 20 <sup>3</sup>/<sub>4</sub> x 9" (527 x 229 mm)

- Stainless steel slam latch



## No. 44701000

13 <sup>3</sup>/<sub>4</sub>" W x 16 <sup>3</sup>/<sub>8</sub>" H x 5" Deep  
(349 x 416 x 127 mm)  
cut out- 11" W x 13 <sup>1</sup>/<sub>2</sub>" H (279 x 343 mm)

- Versatile box for storage or custom OEM projects
- "Slimline" door with s.s. slam latch

# Coaming Storage Pockets with Drink Holders

OEM sales and minimum quantity restrictions may apply to some products



- Practical storage and drink pockets
- Glossy acrylic capped ABS
- Available with black or white cup holders

## No. 49234100 (Starboard)

18 <sup>1</sup>/<sub>4</sub>" W x 15 <sup>1</sup>/<sub>2</sub>" H x 3 <sup>1</sup>/<sub>2</sub>" D  
(464 x 394 x 89 mm)

## No. 49235000 (Port)

18 <sup>1</sup>/<sub>4</sub>" W x 15 <sup>1</sup>/<sub>2</sub>" H x 3 <sup>1</sup>/<sub>2</sub>" D  
(464 x 394 x 89 mm)

## No. 49240800 (Port)

## No. 49241800 (Stbd)

27" W x 14 <sup>1</sup>/<sub>2</sub>" H x 3 <sup>1</sup>/<sub>2</sub>" D  
(686 x 368 x 89 mm)  
Sleek styled acrylic capped ABS  
Stainless steel drink holders  
Stylish molded fiddle



## No. 49240800 (Port)

## No. 49241800 (Stbd)

# Recessed Speaker / Drink Holders

OEM sales and minimum quantity restrictions may apply to some products



**No. 54500300**  
17"W x 11"H x 5" Deep  
(432 x 279 x 127 mm)



**No. 54200300** (white cup holder)  
**No. 54200800** (stainless cup holder)  
12 3/4"W x 9 3/8"H x 4 1/2" D  
(324 x 238 x 114 mm)  
cut out - 11"W x 7 5/8"H  
(279 x 194 mm)



**No. 54600300**  
128" (3251 mm) radius

**No. 54700300**  
52" (1321 mm) radius

**No. 56700300**  
38" (965 mm) radius  
20 3/4"W x 10 1/2"H x 4 3/4" D  
(527 x 267 x 121 mm)

- These styled drink holders have molded curved flanges for bow installations
- **Radii listed above**
- Pictured with optional hole for speaker

**No. 54140300 (Port)** (pictured)

**No. 54141300 (Starboard)**

20"L x 11"H x 6 1/2" Deep  
(508 x 279 x 165 mm)

- Teardrop shape
- OEM sales in pairs only



**No. 54130300 (Port)**

**No. 54131300 (Stbd)**

Same as above with depth reduced to 4 1/2" (114 mm)

**No. 56850300**

8 3/4"W x 10"H x 6" D  
(222 x 254 x 152 mm)

- White cup holders
- Reinforced spkr. hole 5" (127 mm)



**No. 54800300**

20 1/4"W x 11 1/4"H x 4 5/8" D (514 x 286 x 117 mm)



**No. 54150300H (Port)** (pictured)

**No. 54151300H (Stbd)**

12"L x 9"H x 5 1/8" Deep  
(305 x 229 x 130 mm)

- Fits speakers up to 6 1/2" (165 mm) Dia.
- OEM sales in pairs only



**No. 55156300**

16 3/4"W x 11 1/8"H 5"D (425 x 283 x 127 mm)  
cut out- 14 3/4"W x 9 1/4"H (375 x 235 mm)

- Fits up to 8" (203 mm) OD speakers



## Three Cup Drink Holder

Lots of room for options-battery switches speakers, etc. (OEM Sales only)

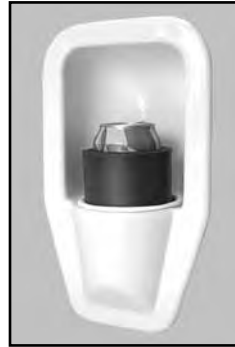
### No. 49280300

24 3/4" W x 12 1/2" H x 5 3/4" D  
(629 x 318 x 146 mm)



## Shallow Depth Drink Holders

No. 54220300 - Double No. 54220800 - (stainless cup holder)  
11 3/8"W x 11 5/8"H x 3 5/8" D (289 x 295 x 92 mm)



### No. 54210300 Single

7"W x 11 5/8"H x 3 5/8" D  
(178 x 295 x 92 mm)



## Compact Storage and Drink Holders

### No. 49220300

21 1/2"W x 9 3/8"H x 5 1/8"D (546 x 238 x 130 mm)

- Fits speakers up to 6 1/2" Dia.
- OEM sales



### No. 55000300

17 1/2"W x 8 1/2" H x 1 1/4 - 4 1/2" D  
(445 x 216 x 32 mm)



## Deluxe Single and Double Drink Holder Pockets

- High quality surface mount drink holders
- Glossy acrylic capped ABS

- Choice of white or stainless cup holders
- Attach securely with high bond tape - No Fasteners

No. 34210300 (white cup holder)

No. 34220300 (white cup holder)

No. 34221801

No. 34210800 (stainless cup holder) No. 34220800 (stainless cup holder)

- Special version in high gloss black with stainless cups
- Mounts with fasteners only

7 1/2"W x 7 5/8"H x 5"D (191 x 194 x 127 mm)

12 1/4"W x 7 5/8"H x 5"D (311 x 194 x 127 mm)



# COCKPIT STORAGE BOXES

- Quality cockpit storage with molded fiddles, starboard fiddles or open
- Glossy acrylic capped ABS for ultimate color stability and durability
- Options available for many applications including storage tubs, cargo nets, speakers
- Countersunk mounting holes standard with most products

**OEM sales and minimum quantity restrictions may apply to some products**

Part No.	Outside Dimensions (LxHxD)		Cut Out		Specifics
46400000	19 1/2" x 9 1/2" x 7"	495 x 241 x 178 mm	17 1/4" x 7 1/4"	438 x 184 mm	
46406000	14 3/4" x 8 1/4" x 5"	375 x 210 x 127 mm	13 1/8" x 6 5/8"	333 x 168 mm	
46407000	16 1/2" x 13" x 4 3/4"	419 x 330 x 121 mm	13 3/4" x 10 1/4"	349 x 260 mm	
46409000	16 1/8" x 12" x 5 7/8"	410 x 305 x 149 mm	14" x 9" x 5 7/8"	356 x 229 mm	
46502000	34 1/4" x 10" x 4 3/4"	870 x 254 x 121 mm	32 1/2" x 8 3/8"	826 x 213 mm	
46503000	46" x 10" x 4 3/4"	1168 x 254 x 121 mm	44 1/2" x 8 3/8"	1130 x 213 mm	
46880000	8" OD x 3"D	203 x 76 mm	5 3/4"	146 mm	round panel
49000000	8" x 8" x 3 1/4"	203 x 203 x 83 mm	6" x 6"	152 x 152 mm	
49020000	6 1/2" OD x 2 1/4"	165 x 57 mm	5"	146 mm	round panel
49030000	7 1/4" OD x 2 5/8"	184 x 67 mm	5 5/8"	143 mm	round panel
49270000	16" x 12" x 5"	406 x 305 x 127 mm	14" x 10 5/8"	356 x 270 mm	molded fiddle
49290600	19 7/8" x 7 3/4" x 6"	505 x 197 x 152 mm	18" x 6"	457 x 152 mm	molded fiddle
49400000	20 1/4" x 8" x 5 3/4"	514 x 203 x 146 mm	18 1/4" x 6"	464 x 152 mm	starboard fiddle
49406000	20 1/4" x 8" x 5"	514 x 203 x 127 mm	18 1/4" x 6"	464 x 152 mm	starboard fiddle



**No. 49400000**



**No. 49270000**



**No. 46407000**



**No. 49020000**

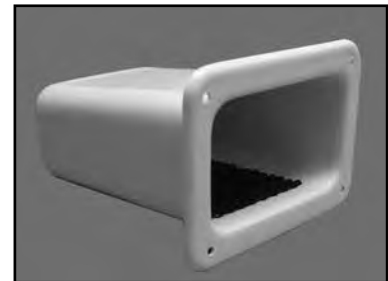


**No. 49290600**

## More Drop-In Bins and Storage Tubs

- Most products above can also be supplied in these materials

Part No.	(L x W x D) Outside Dimensions	Inside Dimensions	Material
46405000	21 1/2" x 15" 546 x 381 mm	20 1/4" x 13" x 8" 514 x 356 x 203 mm	HIPS
46415000	21 1/2" x 15" 546 x 381 mm	20 1/4" x 13" x 7" 514 x 356 x 177.8 mm	HIPS



## CELL PHONE POCKET

**No. 46055000**

5 3/8" W x 4 1/4" H x 6 1/4" Deep  
(136 x 108 x 159 mm)

Inside Dimensions 4 1/4" W x 2 3/4" H  
(108 x 70 mm)

- Glossy acrylic capped ABS with Non Skid Pad
- Perfect size to store wallet, iPod, cell phone

# CARGO NET STORAGE

- Available in a variety of sizes
- Glossy Acrylic capped ABS
- Net colors are black, tan or gray. Call to confirm stock net colors available for each product
- OEM sale restrictions may apply to some products

## Combo Cargo Net Storage with Speaker and Cup Holder

**No. 56605000 (port)** 26 1/4" W x 10 1/2" H x 6 1/8" D  
(667 x 267 x 156 mm)

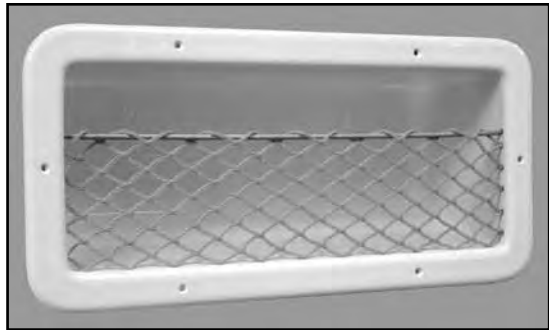
**No. 56615000 (stbd)** 26 1/4" W x 10 1/2" H x 6 1/8" D (pic.)  
(667 x 267 x 156 mm)

- High Gloss Acrylic Capped ABS
- Black Net for Optimum Storage in 6" (152 mm) Deep Pocket
- Predrilled with reinforced 5" (127 mm) Speaker Hole
- Includes White Cup Holder (standard)
- Countersunk Mounting Holes



Product	W x H x Depth
<b>No. 46400500</b> (gray net)	19 1/2" x 9 1/2" x 7" (495 x 241 x 178 mm) cut out - 17 1/4" x 7 1/4" (438 x 184 mm)
<b>No. 47605800</b> (blk. net)	12 7/8" x 9 3/8" x 4 1/2" (327 x 238 x 114 mm) cut out - 11 1/4" x 7 7/8" (286 x 200 mm)
<b>No. 49107500</b> (gray net)	9 1/2" x 9" x 7" (241 x 229 x 178 mm) cut out - 7 3/4" x 7 1/4" (197 x 184 mm)
<b>No. 49800800</b> (blk. net)	18 1/2" x 6 3/4" x 3 5/8" 470 x 171 x 92 mm cut out - 16 3/4" x 5 1/4" (425 x 133 mm)

(IMAGES NOT TO SCALE)



**No. 46400509**



**No. 49107500**



**No. 47605800**

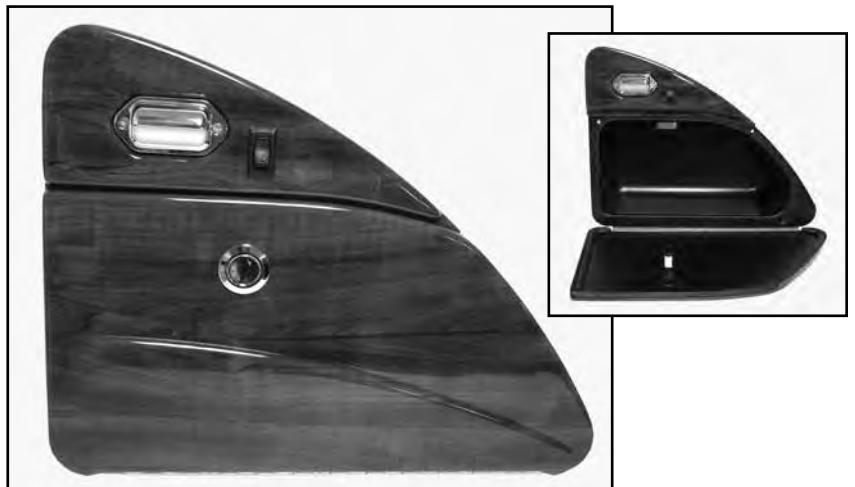
## Lounge Arm Storage Box with Courtesy Light

**No. 49730131** (port)

**No. 49731131** (stbd)(pictured)

14 3/4" W x 11 1/2" H x 5" D (375 x 292 x 127 mm)  
cut-out 12" W x 6 3/8" H (305 x 162 mm)

- "Smart Choice" style storage area with built in courtesy light (optional)
- Lockable push button latch and non-skid cushion to protect valuables
- Available in a number of wood grain finishes or white acrylic capped ABS
  - Regal Cherry pattern pictured



# “Smart Choice” Console Glove/Storage Boxes

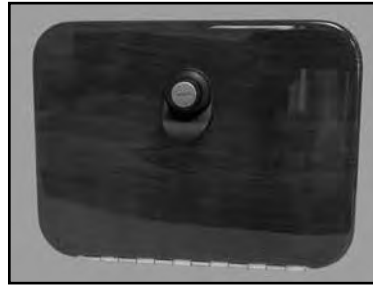
- SSI's new "Smart Choice" style console boxes feature sturdy water resistant door with quality gasket, locking latch and sleek stainless steel hinge.
- Doors available for OEM manufactures with UV resistant custom colors and patterns such as wood grains, carbon fiber, stainless steel, etc.
- Custom holes for charging or other electronic connections for OEM sales.
- ABS box installed with hidden fasteners.

**No. 49701000** (white door)

8 1/2" W x 6 1/2" H x 4 3/8" Deep (216 x 165 x 112 mm)  
cut out 7 1/4"W x 5" H (184 x 127 mm)

**No. 49701033** (“Graywood” grain door)

- Attractive and economical small console storage box
- Storage box angles down for better performance
- Locking push button latch



**No. 49701031**



**No. 49701000**

**No. 49703000** (white)

17" W x 5 1/4" H x 6 1/4" D (432 x 133 x 159 mm)  
cut out - 15 1/4" W x 3 1/2" H (387 x 89 mm)

**No. 49703001** (high gloss black)

- "Smart Choice" console box with non skid pad to provide cushion for cell phone, I Pad or other electronics
- Locking push button latch



**No. 49705000**

17 3/4" W x 9 1/8" H x 7 1/4" D  
(450 x 232 x 184 mm)  
cut out -16" W x 7" H  
(403 x 178 mm)

- Our largest console glove box with this style door
- Locking stainless steel slam latch
- Available with door in a variety of colors and finishes

## Traditional Style Storage Lockers

**No. 46101500** (hinged door)

**No. 46101000** (sliding doors)

19 1/2" W x 11 1/2" H x 7 1/4" D  
(502 x 298 x 184 mm)  
cut out - 18" W x 10" H (457 x 254 mm)

- Two styles to increase your available storage area
- Made of weatherable capped ABS
- Model No. 46101500 features continuous stainless hinge



**No. 46101000**



**No. 46101500**

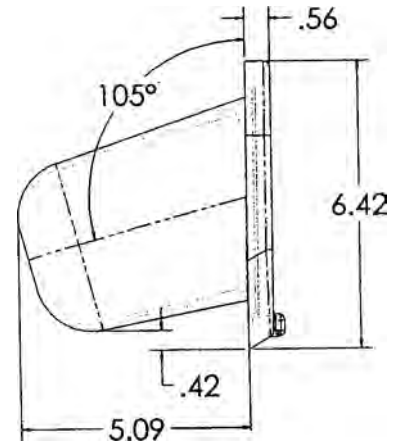
# Console Glove / Storage Boxes



## No. 49102000

18 1/2" W x 6 1/2" H x 5" D (470 x 165 x 127 mm)  
cut out - 16 1/2" W x 4 1/2" H (419 x 114 mm)

- Attractive "Slimline" styling provides a handy console storage area
- Particularly suited for mounting areas with a reverse draft or undercut
- Lockable slam latch for security
- Sturdy gasketed door



## No. 49102500

- Available for OEM sales without door gasket



## No. 49107000 white slam latch

9 1/2" W x 9" H x 7" D (241 x 229 x 178 mm)

## No. 49107900 s.s. locking slam latch cut out

7 3/4" W x 7 1/4" H (197 x 184 mm)

- Stainless steel hinged STARBOARD® door



## No. 49101000

10 1/4" W x 6 1/2" H x 5" D (260 x 165 x 127 mm)  
cut out - 8 1/2" W x 4 1/2" H (216 x 114 mm)

- Profile similar to No. 49102000 above

# "Performance Style" Console Glove/ Storage Boxes

- White Acrylic capped ABS with polished solid acrylic door for a high quality, attractive appearance
- Stainless steel hinges and locking push button latch
- Available with stainless locking slam latch at extra cost
- Designed for mounting with adhesive (no fasteners)



## No. 49167000

11" W x 6 7/8" H x 3 1/2" Deep (279 x 175 x 89 mm)  
cut out 9 7/8" W x 6" H (250 x 152 mm)

## No. 49168000

11" W x 8 3/8" H x 3 1/2" Deep (279 x 213 x 89 mm)  
cut out 9 7/8" W x 7 1/2" H (250 x 190 mm)

# Head Storage & Covered Paper Holders



## Covered Toilet Paper Holder

No. 31000000 (white)  
No. 31000060 (Bronze Plex DR)

5 1/2" W x 6" H x 5 1/4" D  
(140 x 152 x 133 mm)

- A must for boats and RVs
- Unique lid design keeps paper dry and holds roll securely
- Flat back comes drilled with four mounting holes



## "Smart Choice" Head Storage Cabinet

No. 31820000 (right hand door) (pictured)  
No. 31825000 (left hand door)  
11 7/8" W x 19 3/8" H x 5 3/4" D  
(302 x 492 x 146 mm)  
cut out- 10" W x 17 3/8" H (254 x 441 mm)

- New "Smart Choice" style door with gasket and satin finish push to close latch and sleek stainless steel hinge
- Organize in secure lower storage space
- Keeps tissue dry and out of site
- Glossy acrylic capped ABS door with white ABS interior
- OEM manufacturers can order with custom door colors and patterns. (Minimums would apply)



## Recessed T/P Holder

No. 30800000

7 5/16" W x 7 1/4" H x 5 5/16" D  
(186 x 184 x 135 mm)

cut out - 6 1/8" W x 6" H (156 x 152 mm)

- Sleek low profile
- Keeps tissue dry and out of site
- Glossy acrylic capped ABS



## Flip Out Trash and Storage Bin

No. 45318100

13" W x 18 1/2" H x 6 1/4" D  
(330 x 470 x 159 mm)  
cut out- 10 3/8" x 15 5/8" H  
(264 x 397 mm)

- Door mounted tub for storage, trash or tackle box
- Tabs secure trash bag
- Shallow depth
- "Slimline" styled door opens 180 for access
- Stainless slam latch



## Trash Access Doors

No. 44221700

21 1/4" W x 21 1/4" H x 11" D (540 x 540 x 279 mm)  
cut out - 18 5/8" W x 18 5/8" H (473 x 473 mm)

- Molded support for 28 QT. (26 L) trash can





# Access Doors

- SSI's "Slimline" access doors with hidden fasteners and molded hinge (patented)
- Acrylic capped ABS to match your gel coat with superior gloss and UV protection
- Available in a number of sizes to match tackle boxes, showers, storage boxes, etc.
- **NOT ALL ITEMS AVAILABLE FOR RETAIL SALE**
- **Minimum orders apply to OEM sales**



**No. 442-2116-1100**

## Single Skin Access Doors

	Outside Dimensions (WxH)	Cut out	Specifics
No. 441-1416-1100	16 3/8" x 13 3/4" (416 x 349 mm)	13 1/2" x 11" (343 x 279 mm)	Stainless latch
No. 441-1611-1500	16" x 10 5/8" (406 x 270 mm)	14" x 8 7/16" (356 x 214 mm)	Grabber latch
No. 441-1614A-1100P (port)	14" x 16" (356 x 406 mm)	angled	Stainless latch
No. 441-1614A-1100S (stbd)	14" x 16" (356 x 406 mm)	angled	Stainless latch
No. 441-1715A-1100P (port)	15 1/4" x 17" (387 x 432 mm)	angled	Stainless latch
No. 441-1715A-1100S (stbd)	15 1/4" x 17" (387 x 432 mm)	angled	Stainless latch
No. 441-2312-1100	23 3/8" x 12" (594 x 305 mm)	20 3/4" x 10" (527 x 254 mm)	Stainless latch



**No. 441-1614A-1100P**

## Deluxe Double Skin Access Doors

- Finished in glossy acrylic capped ABS inside and out
- Fully gasketed with stainless steel slam latch unless noted

	Outside Dimensions (WxH)	Cut out	Specifics
No. 49542500	24 5/8" x 23" (625 x 584 mm)	21 1/2" x 20 1/2" (546 x 521 mm)	Double door
No. 442-2114-1500	14" x 21" (356 x 533 mm)	11 7/8" W x 18 1/2" (302 x 470 mm)	grabber latch
No. 442-2116-1100	16" x 21" (406 x 533 mm)	13 1/4" x 18 5/8" (337 x 473 mm)	Stainless latch
No. 442-2121-1100	21 1/4" x 21 1/4" (540 x 540 mm)	18 5/8" x 18 5/8" (473 x 473 mm)	Stainless latch

### No. 45305000frame

17 1/2"W x 15 3/4"H (445 x 400 mm)

- Original style door with piano hinge

### No. 45305500frame

- Same with stainless slam latch



**No. 442-2114-1500**

## Trash Access Doors

### No. 44214700

14"W x 21"H x 15" D (356 x 533 x 381 mm)  
cut out - 11 7/8"W x 18 1/2"H (302 x 470 mm)

- Economical access door with 21 qt. (20 L) Sterilite trashcan
- SSI's patented "Slimline" styled door with hidden fasteners
- Molded handle with Southco grabber catch
- Door opens up to 180 degrees for access



# Shore Power Connector Box

## No. 44826000

14 <sup>3</sup>/<sub>8</sub>"W x 11"H x 5 <sup>3</sup>/<sub>4</sub>" D  
(365 x 279 x 146 mm)  
cut out - 11 <sup>1</sup>/<sub>4</sub>"W x 8 <sup>1</sup>/<sub>8</sub>"H  
(286 x 206 mm)

- Sturdy "Slimline" door with Southco "grabber" latches
- Sleek appearance with hidden fasteners
- Reinforced mounting area with holes for 30 amp, 50 amp or cable fittings
- Custom hole patterns available for OEM sales
- Glossy acrylic capped ABS



## Economy Multi-Purpose Enclosures

### No. 47733100

Friction catch door  
10 <sup>5</sup>/<sub>8</sub>"W x 16" H x 1 <sup>3</sup>/<sub>8</sub>" D  
(270 x 406 x 41 mm)

Max inside space 7 <sup>1</sup>/<sub>2</sub>" x 13 <sup>1</sup>/<sub>2</sub>"

"Slimline" door w/ molded handle      Grabber latch with door gasket  
Custom OEM cutouts

### No. 47733200

Southco grabber latch door  
cut out- 8 <sup>7</sup>/<sub>16</sub>"W x 14"H  
(214 x 356 mm)



## Deluxe Multi-Purpose Enclosure

### No. 44601500

10 <sup>1</sup>/<sub>4</sub>"W x 15 <sup>3</sup>/<sub>4</sub>" H x 1 <sup>1</sup>/<sub>4</sub>"D (260 x 400 x 32 mm)  
cut out- 8"W x 13 <sup>1</sup>/<sub>4</sub>"H (203 x 337 mm)  
Max inside 7 <sup>1</sup>/<sub>2</sub>" x 13" (191 x 330 mm)

- Custom OEM cutouts
- "Slimline" door with gasket
- Stainless slam latch



### No. 47731100

7 <sup>1</sup>/<sub>2</sub>"L x 7 <sup>1</sup>/<sub>2</sub>"W x 1 <sup>1</sup>/<sub>2</sub>" D  
(191 x 191 x 38 mm)  
cut out - 5 <sup>5</sup>/<sub>8</sub>" W x 5 <sup>3</sup>/<sub>4</sub>" H  
(143 x 146 mm)

- Pre-Cut holes fit PERKO® and Marinco

### No. 47731600

7 <sup>1</sup>/<sub>2</sub>" L x 7 <sup>1</sup>/<sub>2</sub>" x 1 <sup>1</sup>/<sub>2</sub> D (191 x 191 x 38 mm)

- Designed for Blue Seas 9000e series

### No. 47731600-COVER

- Back cover for Blue Seas 9000e series
- White ABS



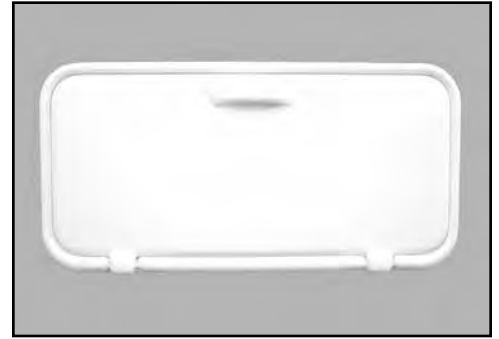
# SSi Recessed Battery Switch Boxes



**No. 47740000**  
 17 3/4" L x 8 3/4" H x 4 3/4" D (451 x 222 x 121 mm)  
 cut out - 15 1/8" W x 6 7/8" H (384 x 175 mm)

**No. 47780000**  
 14 1/4" L x 8 1/4" H x 4 3/4" D (362 x 210 x 121 mm)  
 cut out - 12 1/8" W x 6 1/2" H (308 x 165 mm)

**No. 47790000**  
 22 7/8" L x 10" H x 4 3/4" D (581 x 254 mm)  
 Cut out- 20 1/4" L x 7" H (514 x 178mm)  
 • Features Southco Grabber latch



- Sturdy "Slimline" styled enclosure will protect two battery switches on OEM supplied mounting panel
  - The back of the box acts as a cover to prevent exposed wire connections
- (Not for retail sale)



**No. 47732000**  
 13" L x 7 3/4" W x 1 1/2" D  
 (330 x 197 x 38 mm)  
 cut out - 11" W x 5 1/2" H  
 (279 x 140 mm)

- This "Slimline" styled battery panel can mount up to two battery switches
- Available with cut outs and holes for OEM builders

**No. 47700000**  
 8" L x 8 1/8" H x 4" D  
 (203 x 206 x 102 mm)  
 cut out - 6 1/2" W x 6 5/8" H  
 (165 x 168 mm)

- Protects battery selector switches from the elements for cockpit installation
- Made of reinforced weatherable capped ABS plastic
- Fits all switches up to 5 1/2" (140 mm) dia and 3 1/2" (89 mm) deep



**No. 47716000**  
 7 1/2" dia. X 1 1/4" D (191 x 32 mm)  
 cut out - 5 3/4" dia. (146 mm)

- Designed to meet European specifications
- Made of white weatherable capped ABS plastic
- Fits Perko®, Marincos and Blue Seas® E & HD Series switches



**No. 48231600**  
 5 7/8" W x 5 7/8" H x 1 1/4" D  
 (149 x 149 x 32 mm)  
 cut out - 3 7/8" W x 3 7/8" H  
 (98 x 98 mm)

- Sized with pre-cut holes for Blue Seas® M series switches
- Also available to fit BEP® 701 switches

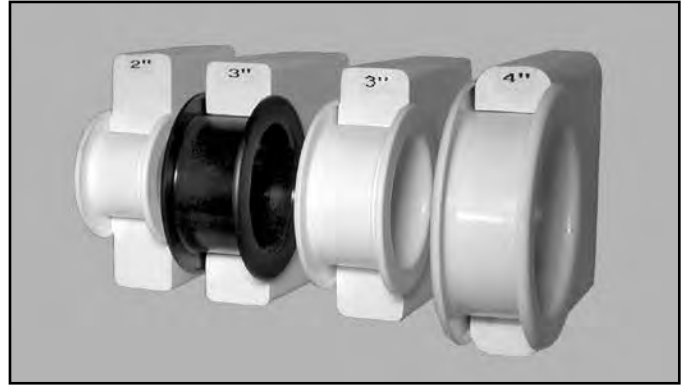
**No. 47726000**  
 5 5/8" dia. x 1 1/4" D  
 (143 x 32 mm)  
 cut out - 4" dia. (102 mm)  
 • Designed to fit Blue Seas® M Series switches



# Trim & Chaffing Rings

## Chaffing Rings

- No. 20025000** - 2" (51 mm) diameter white  
2 15/16" OD x 1 3/4" ID (75 x 44 mm) cut-out 2 1/8" (54 mm)
- No. 20025400** - 2" (51 mm) diameter white, UV resistant
- No. 20025001** - 2" (51 mm) diameter black, UV resistant
- No. 20035000** - 3" (76 mm) diameter white
- No. 20035400** - 3" (76 mm) diameter white, UV resistant  
3 15/16" OD x 2 5/8" ID (100 x 67 mm) cut-out 3" (76 mm)
- No. 20035001** - 3" (76 mm) diameter black, UV resistant
- No. 20045000** - 4" (102 mm) diameter white  
4 15/16" OD x 3 5/8" ID (125 x 92 mm) cut-out 4" (102 mm)
- No. 20045400** - 4" (102 mm) diameter white, UV resistant



- Rings are sold in mating pairs.
- To trim out or prevent chaffing.
- Fits holes in bulkheads up to 2" (51 mm) thick.

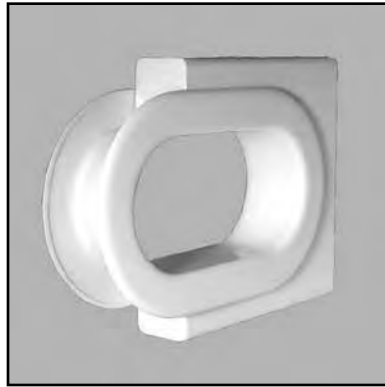
## "Oval" 2 pc. Trim Ring

**No. 20050000**

9 1/2"L x 6"W x 2 1/2" D OD  
(241 x 152 x 64 mm)

7 1/4"L x 3 1/2"W x 2 1/2" D ID  
(184 x 89 x 64 mm)

- Made of weatherable capped ABS
- Ideal for trimming holes for shore power cords



## Oval Chaffing Rings

**No. 20056080 (white)**

**No. 20056081 (black)**

9 1/2"L x 6"W x 2 1/2" D OD  
(241 x 152 x 64 mm)

7 1/4"L x 3 1/2"W x 2 1/2" D ID  
(184 x 89 x 64 mm)

**No. 20053080 (white)**

8"L x 5"W x 2 1/2" Deep OD (203 x 127 mm)

6"L x 3"W x 2 1/2" Deep ID (152 x 76 mm)

- Economical textured ABS for running interior cable and hose

## Round Trim Rings

**No. 20025500**

3" OD x 1 3/4" ID x 1" Deep  
(76 x 44 x 25 mm)

- Ideal for trimming rod boxes and other thru-deck holes
- Molded from UV resistant Luran® ASA
- Predrilled for screw installation



## Carpet Grommets

**No. 20035101 (Black)**

3 15/16" OD x 2 5/8" ID (100 x 67 mm)

**No. 20045100 (White)**

**No. 20045101 (Black)**

5" OD x 3 1/2" ID (127 x 89 mm)

**No. 20046101 (Black)**

5 7/8" OD x 4 1/2" ID (124 x 114 mm)

**No. 20048101 (Black)**

9 3/4" OD x 8" ID (248 x 203 mm)



- Rings are sold in mating pairs
- Black made of UV resistant molded ABS
- Glue together to trim holes for table legs, etc.
- White made of UV resistant Luran® ASA

- OEM Sales only

## Jump Seat Trim Ring

**No. 20060000**

10 1/2"W x 2 1/2"H x 1" Deep OD (267 x 64 x 25 mm)

- Trims raw fiberglass edges and provides seat support
- Made of weatherable capped ABS



# Protect Your Valuable Electronics

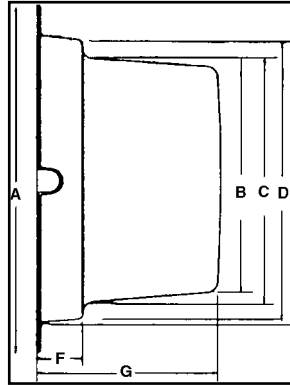
## Instrument Back Covers



**No. 58001000 — No. 58003000**

- Made of white ABS plastic
- Protect back of bulkhead mounted instruments
- Contoured and sized to fit most popular instruments.
- Pre-drilled for mounting screws

	A	B	C	D	E	F	G
<b>No. 58001000</b>	7 <sup>1</sup> / <sub>8</sub>	4 <sup>1</sup> / <sub>2</sub>	5	5 <sup>3</sup> / <sub>4</sub>	5 <sup>7</sup> / <sub>8</sub>	1	3 <sup>1</sup> / <sub>8</sub>
	181	114	127	146	149	25	79
<b>No. 58003000</b>	7 <sup>5</sup> / <sub>8</sub>	5	5 <sup>1</sup> / <sub>2</sub>	6 <sup>1</sup> / <sub>4</sub>	6 <sup>3</sup> / <sub>8</sub>	1	4
	194	127	140	159	162	25	102



## Oval Trim Rings

(OEM sales only)

### No. 20054000

6" L x 3 1/4" W x 3/4" D OD (152 x 83 x 19 mm)  
 4 1/2" L x 1 3/4" W x 3/4" D ID (114 x 44 x 19 mm)

- UV resistant Acrylic capped ABS

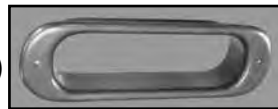


### No. 20058001 (black)

### No. 20058000 (white)

10" L x 3 1/4" W x 1 1/2" D OD (254 x 83 x 38 mm)  
 7 1/2" L x 2 1/4" W x 1 1/2" D ID (191 x 57 x 38 mm)

- UV resistant capped ABS, black



## Instrument Front Cover

### No. 55008009

- Fits Datamarine instruments



## Speaker Back Covers

### Speaker Back Cover for 6 1/2" to 7" OD. (165 to 178 mm) Speakers No. 57002000

7 1/4" dia. x 2 3/4" D (184 x 70 mm)

5 7/8" inside Dia. (149 mm)

- Slotted mounting holes match stud locations on most speakers
- Compact size fits Clarion, JBL, Polyplanar, and more
- Covers wire connections
- High impact white ABS



### No. 57000001 (black)

### No. 57000000 (white)

8 3/4" Dia. x 2 1/4" D (222 x 57 mm)

- Hide and protect valuable speakers



### No. 57100000 Cover for Clarion CM2503 sub woofer

11" dia. x 4 5/8" D (279 x 117 mm)

- High impact white ABS



## Electric Box Covers



No. 20100000

No. 20102000

No. 58006000

**No. 20100000** 4 1/2" L x 3 1/4" W x 2" D (114 x 83 x 51 mm)

**No. 20102000** 5" L x 3 1/2" W x 2" D (127 x 89 x 51 mm)

**No. 58006000** 6 1/4" L x 6 1/4" W x 2 3/4" D (159 x 159 x 70 mm)

- Protect exposed wiring, circuit breakers, mounting switches, etc.
- Molded from white ABS
- Measurements are inside dimensions

# SSi STOWAWAY Showers / Washdowns

- Molded of weatherable acrylic capped ABS plastic for superior color and gloss retention
- Hooks into existing pressurized water system
- Marine white faucets, water conservation control showerhead and standard 120" (3048 mm) hose
- Perfect for marine or RV
- Stainless steel hinges and fasteners



## Compact STOWAWAY

No. 48600000

10 1/4"W x 7 3/4"H x 4 1/4" D (260 x 197 x 108 mm)  
cut out - 8 1/2"W x 6"H (216 x 152 mm)

- Fits into compact space (allow for hose storage)
- Interior or exterior installation
- Marine white hot and cold faucet

## Cool Water STOWAWAY

No. 48720000

8 3/16"W x 7 3/16"H x 3 5/8" D (208 x 183 x 92 mm)  
cut out - 7 1/8"W x 6 1/8"H (181 x 156 mm)

- "Marine White" cool water faucet, spray head & hose



No. 48720000S

- built in switch automatically turns off pump when door is closed



## STOWAWAY

No. 48500000

12 1/4"W x 7 1/4"H x 3 1/2" D (311 x 184 x 89 mm)  
cut out - 10 3/4"W x 5 3/4"H (273 x 146 mm)

- Marine white hot and cold faucet



## Quality Shower Components & Parts

- No. 48200200 Spray handle, white for No. 48200000
- No. 48200250 Spray handle, chrome for No. 48300000CH
- No. 48500150 4" (102 mm) mixer, white handles
- No. 48500160 4" (102 mm) mixer, chrome handle
- No. 48500200 Spray handle, white for No. 48400000
- No. 48500250 Spray handle, chrome for No. 48400000CH
- No. 48503100 120" (3048 mm) white PVC shower hose
- No. 48720150 Valve for cold water showers
- No. 48803100 120" (3048 mm) stainless steel shower hose
- No. 48800160 Single lever mixer, chrome

- Mixers & valves above are replacements for all showers manufactured after 2003
- All fittings are for 1/2" pipe thread





# Ultimate Cockpit **STOWAWAYS**

- Innovative new "Slimline" design hides mounting screws
- Door design includes extremely durable molded hinge and combination latch/handle keeps door rattle free
- Patented hinge design
- Can be mounted vertically or horizontally at up to a 20° angle
- Maintenance free mixer for hot & cold
- High quality 120" white hose
- Available with white or chrome
- High gloss acrylic capped ABS
- **No. 48400000CH with Chrome plated head, handles & 120" (3048 mm) s.s. hose**

**No. 48400000**

11 5/8" W x 8 5/8" H x 5 1/4" D (295 x 219 x 133 mm)  
cut out - 9" W x 6 1/8" H (229 x 156 mm)



**No. 48400000**



**No. 48400000CH**

## Ultimate Compact **STOWAWAY** Showers

**No. 48300000**

**No. 48300000CH**

9 3/4" H x 6 7/8" W x 3" D  
(248 x 175 x 76 mm)  
cut out - 7 5/8" H x 4 3/4" W (194 x 121 mm)

- Same features as above
- Compact size
- New dripless shower head
- Mounts vertical or horizontal 20-30°



**No. 48300000CH**

## Compact Single Lever

**No. 48388000CH**

- Chromed Brass Single Lever Mixer
- 120" (3048 mm) stainless steel hose



## Ultimate One Touch Shower/Washdown

**No. 48200000**

**No. 48200000CH**

5 7/8" H x 5 7/8" W x 2 1/2" D (149 x 149 x 64 mm)  
cut out - 3 7/8" H x 3 7/8" W (98 x 98 mm)

- New compact dripless shower head
- "Slimline" design hides mounting screws
- Patented integrally molded hinge design
- Sturdy door with combined latch/handle
- Mounts vertical up to 20°
- High quality 120" (3048 mm) white hose
  - Available with white or chrome components
- High gloss acrylic capped ABS

**No. 48200000SCH (pictured)**

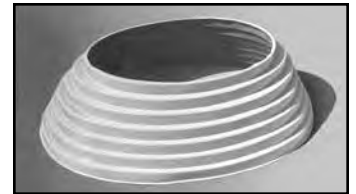
- Includes marine quality switch for manual pumps
- Auto shut-off when door is closed



**No. 48200000SCH**

# Universal Mast Boots

- Made of extremely flexible UV resistant vinyl
- Designed to fit a number of sizes of mast with deck collars of the same basic shape
- Molded in small steps so top and bottom can be cut at the level that provides a snug fit to the mast and deck collar
- Boot may be installed on stepped mast by cutting one side and glue together with enclosed adhesive
- Secure top and bottom of boot with stainless steel hose clamps. A variety of sizes are sold separately below
- Complete installation instructions are included in each kit



Uncut Mast Boot



Fitting Boot to Stepped Mast



Finished Mast Boot

**No. 91000000** - fits masts with circumferences of 17 1/2" and larger with corresponding mast collars of up to 31" (445 to 787 mm)

**No. 91200000** - fits masts with circumferences of 23" and larger with corresponding mast collars of up to 37" (584 to 940 mm)

**No. 91400000** - fits masts with circumferences of 30" and larger with corresponding mast collars of up to 44" (762 to 1118 mm)

(Note: may not fit rectangle masts)

**No. 91000000GLUE** - Replacement adhesive

## Stainless Steel Hose Clamps with Circumference Ranges

No. 900-88 . . . . . 13.15" to 18.8" (334 to 478 mm)

No. 900-96 . . . . . 14.1" to 20.4" (358 to 518 mm)

No. 900-104 . . . . . 15.6" to 22" (396 to 559 mm)

No. 900-128 . . . . . 20" to 26.6" (508 to 676 mm)

No. 900-152 . . . . . 25.5" to 31.4" (648 to 798 mm)

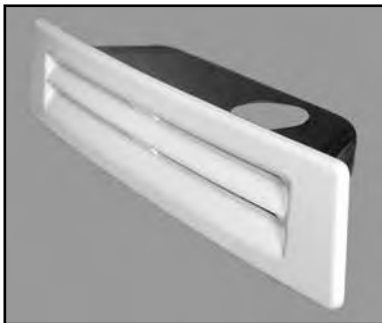
No. 900-188 . . . . . 32.7" to 38.4" (831 to 975 mm)

Two clamps may be joined to reach the desired circumference of larger masts and collars

## Deluxe Louvered Vent

**No. 36600000**

22" W x 4 1/2" H x 5 5/8" D  
(559 x 114 x 143 mm)  
cut-out 17 1/2" x 3 1/2"  
(445 x 89 mm)



- Hidden s.s. mounting studs
- Glossy acrylic capped ABS
- Collector box for 3" (76 mm) hose

## Vent Covers

**No. 28101000**

2 5/8" x 3" (67 x 76 mm)

**No. 28102000**

4" x 4 1/2" (102 x 114 mm)

**No. 28103000**

6" x 7" (152 x 178 mm)

**No. 28104000**

4 3/8" x 4 1/4" (60 x 108 mm)



No. 28104000 No. 28101000 - No. 28103000



## SSi Washdowns

**No. 48750000S**

7 1/4"W x 8 1/2"H x 3 1/2"D (184 x 216 x 89mm)  
cut out- 6 1/8"W x 7 1/8"H (156 x 181mm)

- Glossy acrylic capped ABS
- Chromed brass faucet
- Built in switch automatically turns pump off when door is closed
- Also available without switch model No. 48750000

# SSi Sinks

**No. 32900800**

17"L x 13"W x 9 1/2" D (432 x 330 x 241 mm)

cut out - 14"W x 10"H (356 x 254 mm)

- Heavy duty deep sink



**No. 32100000**

- Molded from white, glossy, weatherable ABS plastic
- These stylish sinks can be used inside or out
- Drain not included
- Won't rust or tarnish
- Some models are for OEM sales only with minimum quantity restrictions

**No. 32100000**

13"L x 10"W x 5" D  
(330 x 254 x 127 mm)

**No. 32102000**

9"L x 7"W x 6 3/8" D  
(229 x 178 x 162 mm)

**No. 32103000**

13"L x 9 1/4"W x 5" D  
(330 x 235 x 127 mm)

**No. 32200000**

10 1/2" OD x 4" D  
(267 x 102 mm)



**No. 32200000**

**No. 32800009**

14"L x 9"W x 6 3/4" D  
(356 x 229 x 171 mm)

cut out - 12 3/8"W x 7 1/4"H (314 x 184 mm)



## SSi Piling Caps

### Protect Your Expensive Pilings



"FLAT"

- These easy to install plastic piling caps are an excellent, inexpensive way to protect costly piling from internal rot
- Stocked increments from 4" (140mm) up to 18" (457mm)
- Larger round cone caps available up to 30" (762mm) - please inquire for sizes and pricing
- Installed by drilling nail holes and attaching with galvanized roofing nails or stainless screws (not included)
- Available in 2 styles - standard "Flat" or "Cone". The "Cones" are designed to help discourage sea birds from landing on them and make it easier to throw lines over pilings
- Caps are made from heavy weatherable polyethylene with estimated life in excess of 15 years for black caps and in excess of 9 years for white caps (actual life of piling caps is not guaranteed)



"CONE"

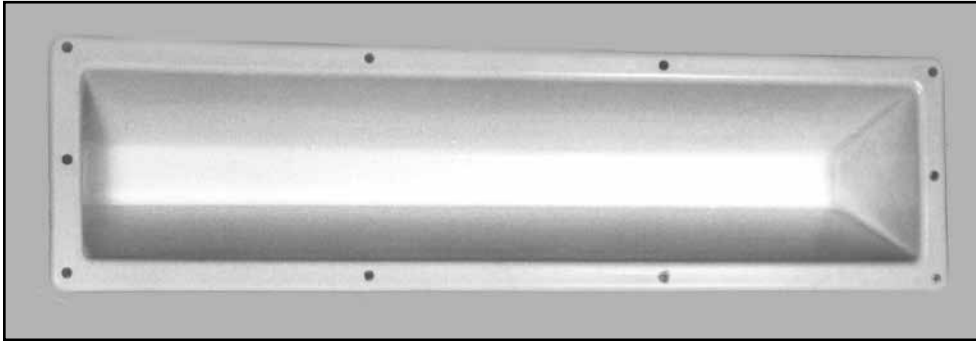


- Special discounts for marine contractors available
- Minimum order quantities apply to caps over 18"
- Square cone caps available in stock sizes: 3 1/2", 5 1/2", 6", 10", 12", 14", 16" & 18"
- Call for size and a pricing for square caps



# Helm Foot Rests

- Provide recessed foot/storage space
- Weatherable capped ABS
- **OEM sales only - minimum quantity restrictions**



## No. 49301500

34 <sup>3</sup>/<sub>8</sub>" W x 9" H x 5 <sup>3</sup>/<sub>4</sub>" D  
(873 x 229 x 146 mm)  
cut out - 32 <sup>1</sup>/<sub>8</sub>" W x 7 <sup>1</sup>/<sub>8</sub>" H  
(816 x 181 mm)

## No. 49302500

31" W x 9" H x 5 <sup>7</sup>/<sub>8</sub>" D  
(787 x 229 x 149 mm)  
cut out - 28 <sup>3</sup>/<sub>4</sub>" W x 7 <sup>1</sup>/<sub>8</sub>" H  
(730 x 181 mm)  
• OEM sales only

## No. 49304500

27" W x 9" H x 6" D  
(686 x 229 x 152 mm)  
cut out - 25" W x 7 <sup>1</sup>/<sub>8</sub>" H  
(635 x 181 mm)  
• OEM sales only

# Fuel Fill Panel with P-Trap Vent

## No. 47102100

7 <sup>3</sup>/<sub>4</sub>" W x 9 <sup>1</sup>/<sub>4</sub>" H x 3 <sup>1</sup>/<sub>2</sub>" D (197 x 235 x 89 mm)



- Pre-drilled for Attwood deck fill & vent for carbon canister fuel system

# Covered Fuel Fill Enclosure

## No. 47205000 8" Dia. x 2 <sup>3</sup>/<sub>4</sub>" D (203 x 70 mm)

- Attractive, sturdy enclosure for a sleek automotive style
- Heavy duty door with open and closed detents



- Standard hole for vented fuel fill
- Glossy acrylic capped ABS

# Fuel, Water or Oil Panels



Models predrilled for Perko or Attwood Vented fills

## No. 47105000

7 <sup>1</sup>/<sub>8</sub>" Dia. x 2 <sup>3</sup>/<sub>4</sub>" D  
(181 x 70 mm)

- Stylish round fill panel
- OEM sales Only



## No. 47100000 (white) No. 47100001 (black)

7" W x 8" H x 3" D  
(178 x 203 x 76 mm)

- Predrilled for standard fuel fills



## No. 47103000 (white) No. 47103001 (black)

8" W x 9 <sup>1</sup>/<sub>2</sub>" H x 3 <sup>1</sup>/<sub>2</sub>" D  
(203 x 241 x 89 mm)

- Predrilled for Attwood #3662 with integral vent



## No. 47104800

- Predrilled for Perko #s 540-543

## No. 47104000 (white)

5" W x 5" H x 1 <sup>1</sup>/<sub>8</sub>" D  
(127 x 127 x 29 mm)

- Uses minimum space

# Cooler Retainers



## No. 49500100

22 1/2"W x 21 1/2"H x 7 1/4" D OD  
(572 x 546 x 184 mm)

cut out - 20 3/4"W x 19 1/2"H (527 x 495 mm)

- Three models designed to securely recess 25qt. Igloo coolers with sturdy molded supports
- Glossy acrylic capped ABS

## No. 49540100

22 3/4"W x 21 7/8"H x 11 1/2" D  
(578 x 556 x 292 mm)

cut out - 20 7/8"W x 19 7/8"H  
(530 x 505 mm)



- Totally recesses a 25 qt. Igloo cooler for maximum cockpit clearance

## Cooler Retainer with Double Doors

### No. 49542100

24 5/8" W x 23" H x 12 1/4" D  
(625 x 584 x 311 mm)

cut out - 21 1/2" W x 20 1/2" H (546 x 521 mm)

- Two sturdy patented "Slimline" doors
- Molded retainers for 25 qt. (23.9 L) Igloo cooler
- Great storage area



## SSi Open Panels

- Two sizes for recessing livewell electric and other controls
- Provide sturdy mounting for valves and switches
- Made of white weatherable capped ABS plastic

### No. 47400000 (white)

### No. 47400001 (black)

11 1/2"W x 5 5/8"H x 1 5/8" D  
(292 x 143 x 41 mm)

panel area - 9"W x 3 1/2"H  
(229 x 89 mm)

### No. 47810000

12"W x 7"H x 1 3/4" D  
(305 x 178 x 44 mm)

10 1/4"W x 5"H ID  
(260 x 127 mm)

cut out - 10 1/2" x 5 1/4"  
(267 x 133 mm)



## Recessed Panels



### No. 48002500 (pictured)

15"W x 10" x 2 1/4" D (381 x 254 mm)

Panel area - 12" W x 6 1/2" H (305 x 165 mm)

Cut out - 13 1/2" x 8 1/2" (343 x 216 mm)

### No. 48001500

11 1/2"W x 10" x 2 1/4" D (292 x 254 mm)

Panel area - 8 1/2"W x 6 1/2"H (210 x 165 mm)

Cut out - 10" x 8 1/2" (254 x 216 mm)

- Ideal for engine panels and other electronics
- Spray resistant acrylic door with "Touch" latch
- UV inhibited urethane / acrylic hinge
- Glossy acrylic capped ABS

# Overhead Electronics Boxes

- Heavy duty acrylic capped ABS construction
- Sturdy acrylic door with integral gasket
- Gas ram door supports
- Two lockable push button latches
- Sturdy reinforced bottom

## No. 691-GRD2000-00

33 3/4" L x 12 1/2" H x 18 1/4" D (857 x 318 x 464 mm)

## No. 691-GRD3000-00

30 1/2" L x 10" H x 18 1/4" D (775 x 254 x 470 mm)



## SSi Low Profile Overhead Electronic/Storage Boxes

### Four Quality Models with Unique Features

- Glossy acrylic capped ABS for years of performance
- Removable divider separates electronics from storage area
- Mounting areas for 6 1/2" (165mm) OD. Speakers
- Speaker back covers included

## No. 691-GRD4430-00

Outside Dimensions 34 5/8" W x 19" D x 8 1/2" High (879 x 483 x 216 mm)

Inside Dimensions 32 1/2" W x 15" D x 7 1/4" High (826 x 381 x 184 mm)

- Full width heavy duty acrylic door with a gasket and stainless steel locking slam latch
- Stainless steel piano hinge and gas ram for door support.
- Radio mounting area is 10 1/2" W x 3 3/8" High (267 x 86 mm) with 1 1/4" (32 mm) clearance for radio bezel behind the door

## No. 691-GRD6430-00

Outside Dimensions 30 1/2" W x 18 3/4" D x 8 1/2" High (775 x 476 x 216 mm)

Inside Dimensions 28 1/2" W x 14 3/4" D x 7 1/4" High (724 x 375 x 184 mm)

- Designed for narrower T-Tops with same features as above
- Radio mounting area is 9" w x 3 3/8" High (229 x 86 mm) with 1 1/4" (32mm) clearance for radio bezel behind the door

## No. 691-GRD4030-00

Outside Dimensions 34 5/8" W x 19" D x 8 1/2" High (879 x 483 x 216 mm)

Inside Dimensions 32 1/2" W x 15" D x 7 1/4" High (826 x 381 x 184 mm)

- Storage area acrylic door with a gasket, push-button lock, and detent type hinges
- Radio mounting area is 10 1/2" W x 3 7/8" High (267 x 98 mm)

## No. 691-GRD6030-00

Outside Dimensions 30 1/2" W x 18 3/4" D x 8 1/2" High (775 x 476 x 216 mm)

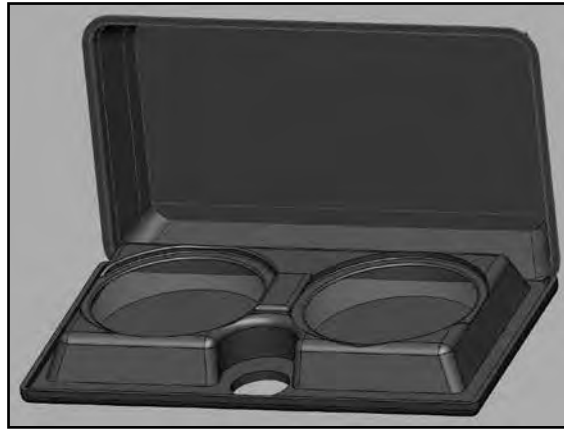
Inside Dimensions 28 1/2" W x 14 3/4" D x 7 1/4" High (724 x 375 x 184 mm)

- Designed for narrower T-Tops with same features as above
- Radio mounting area is 9" w x 3 7/8" High (229 x 98 mm)





# New Products for 2019



## **Pet Dinette**

**No. N18-00100**

19"W x11"H x 2.5"D

### **We take our pets boating with us too!**

- Innovative "Slimline" dining station for your pet with hidden fasteners
- Stowaway design allows for more user friendly experience on the water
- 7 " diameter stainless removable bowls for easy cleanup
- Acrylic capped, UV resistant ABS to match your boat
- Stainless slam latch



43985 Commerce Ave.  
Hollywood, MD 20636 USA

